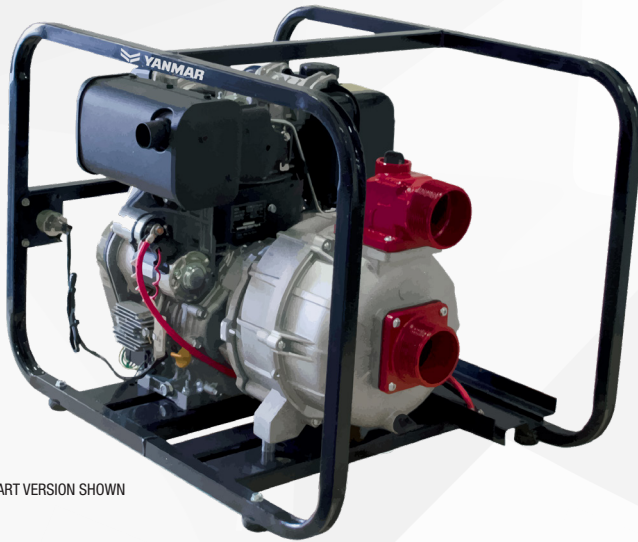
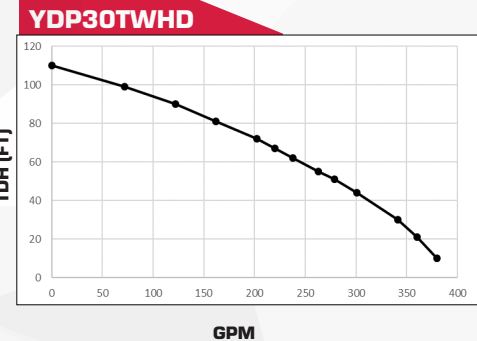
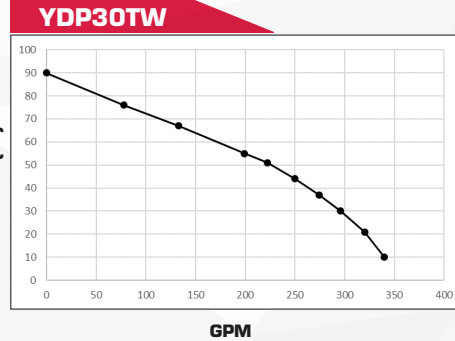
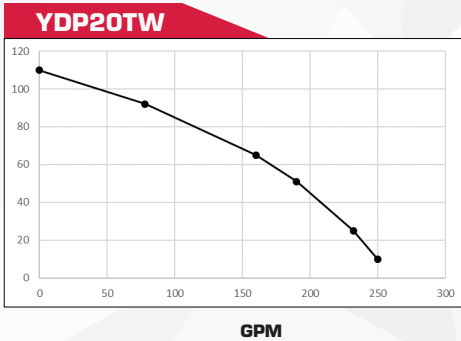
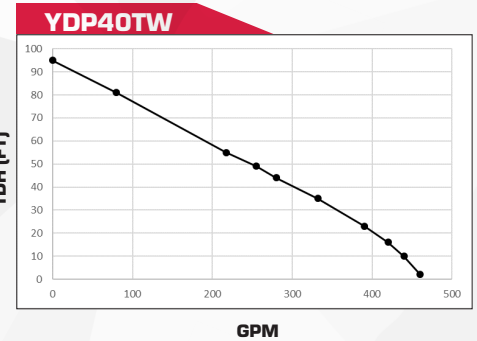


# YANMAR DIESEL PUMP



\* ELECTRIC START VERSION SHOWN



YANMAR Diesel powered, portable, high volume, self priming trash pumps come standard with a cast iron impeller to resist abrasion. They feature one tool serviceability for easy clean out. All pumps feature an aluminum housing, cast iron wearparts, built in check valve, suction strainer and painted heavy duty steel roll frame. The pumps also feature heavy duty cast iron flanges with male NPT threads. The flanges can be rotated in 90 degree increments and come with an easy access fill plug on the discharge.

## KEY FEATURES

- Cast aluminum with cast iron wear parts
- Silicon carbide / viton mechanical seal
- EPDM / EPR O-Rings
- 2", 3", or 4" removable male NPT suction and discharge ports
- Discharge rotates in 90° increments
- Easy clean out with one tool serviceability
- Maximum solids handling up to 1-1/4"
- Maximum flow up to 460 GPM
- Maximum head up to 110 ft
- Self priming to 26 ft
- Optional Wheel Kit and Hose Kit available

**Pure. Reliable. Power.**

# STANDARD FEATURES

CAST IRON IMPELLER

ONE TOOL PUMP SERVICEABILITY

SILICON CARBIDE MECHANICAL SEAL WITH GRAPHITE IMPREGNATED SEAT AND VITON ELASTOMERS

HEAVY DUTY STEEL ROLL FRAME AND STRAINER INCLUDED

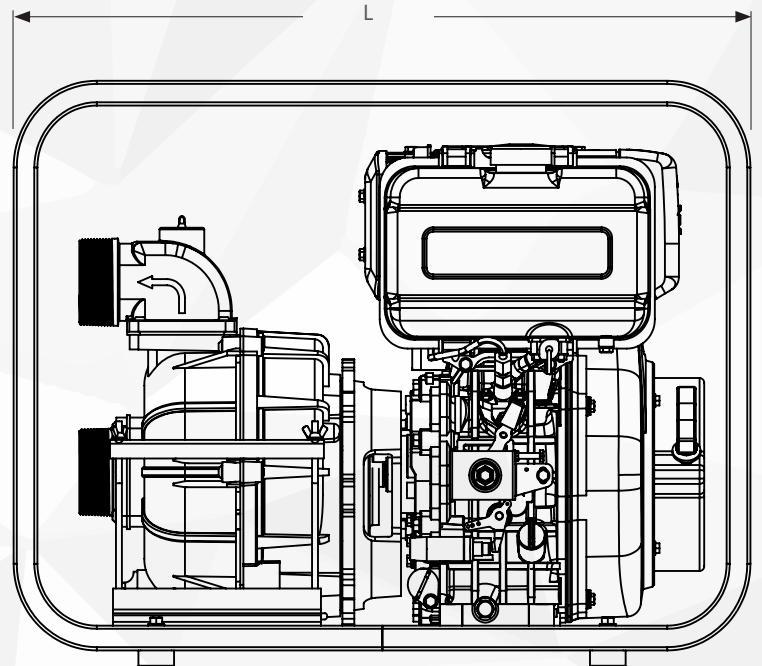
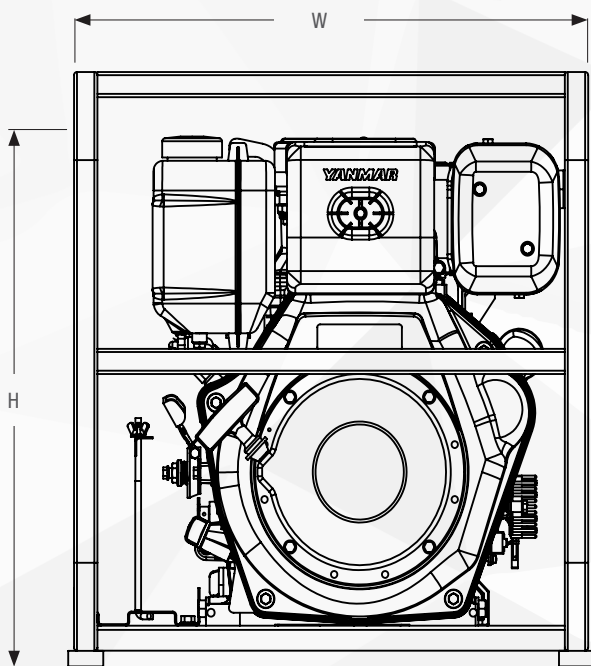
BUILT IN EPDM/EPR CHECK VALVE

REMOVABLE / REPLACEABLE CAST IRON SUCTION / DISCHARGE PORTS

DISCHARGE PORT ROTATES IN 90° INCREMENTS

VIBRATION DAMPENING FEET

MAXIMUM FLUID TEMPERATURE OF 180° F



MODEL	ENGINE FAMILY	REGULATION	CYLINDERS	BORE X STROKE (MM)	DISPLACEMENT (L / IN <sup>3</sup> )	COMBUSTION TYPE	ASPIRATION	GROSS INTERMITTENT POWER (KW)	RATED SPEED	STARTING SYSTEM	GOVERNOR TYPE
YDP20TW-E4	L70W	FINAL TIER 4	1	78 X 67	0.320 / 19.5	Direct Injection	Natural	4.8	3600	Electric / Recoil	Mechanical
YDP20TW-4	L70W	FINAL TIER 4	1	78 X 67	0.320 / 19.5	Direct Injection	Natural	4.8	3600	Recoil	Mechanical
YDP30TW-EJ4	L70W	FINAL TIER 4	1	78 X 67	0.320 / 19.5	Direct Injection	Natural	4.8	3600	Electric / Recoil	Mechanical
YDP30TW-4	L70W	FINAL TIER 4	1	78 X 67	0.320 / 19.5	Direct Injection	Natural	4.8	3600	Recoil	Mechanical
YDP30TWH-D-E4	L100W	FINAL TIER 4	1	86 X 75	0.435 / 26.5	Direct Injection	Natural	6.8	3600	Electric / Recoil	Mechanical
YDP40TW-E4	L100W	FINAL TIER 4	1	86 X 75	0.435 / 26.5	Direct Injection	Natural	6.8	3600	Electric / Recoil	Mechanical

MODEL	PUMP MAX FLOW RATE (LPM / GPM)	PUMP MAX LIFTING HEAD (M/FT) (M/FT)	LENGTH (IN / MM)	WIDTH (IN / MM)	HEIGHT (IN / MM)
YDP20TW-E4	950 / 250	34 / 110	31 / 787.4	22.5 / 571.5	23.6 / 599.4
YDP20TW-4	950 / 250	34 / 110	31 / 787.4	22.5 / 571.5	23.6 / 599.4
YDP30TW-E4	1290 / 340	27 / 90	31 / 787.4	22.5 / 571.5	23.6 / 599.4
YDP30TW-4	1290 / 340	27 / 90	31 / 787.4	22.5 / 571.5	23.6 / 599.4
YDP30TWH-D-E4	1510 / 400	34 / 110	31 / 787.4	22.5 / 571.5	23.6 / 599.4
YDP40TW-E4	1740 / 460	29 / 95	31 / 787.4	22.5 / 571.5	23.6 / 599.4

\* ONLY AVAILABLE FOR USE WITH ULSD FUEL



101 INTERNATIONAL PARKWAY • ADAIRSVILLE GA • 30103

ALL SPECIFICATIONS, COMPETITIVE SPECIFICATIONS, CLAIMS AND INFORMATION CONTAINED WITHIN ARE BASED ON CURRENT KNOWLEDGE AND READILY AVAILABLE INFORMATION AND MATERIAL AS OF JANUARY 16, 2020. THIS BROCHURE IS FOR DESCRIPTIVE PURPOSES ONLY AND REASONABLE EFFORTS WERE USED TO SET FORTH THE CONTAINED INFORMATION OR REASONABLE ESTIMATES; SOME ITEMS SHOWN MAY BE OPTIONAL AND SOME PRODUCTS SHOWN MAY NOT BE AVAILABLE AT ALL LOCATIONS. YANMAR DISCLAIMS ALL REPRESENTATIONS AND WARRANTIES, EXPRESS OR IMPLIED, OR ANY LIABILITY FROM THE USE OF THIS BROCHURE.